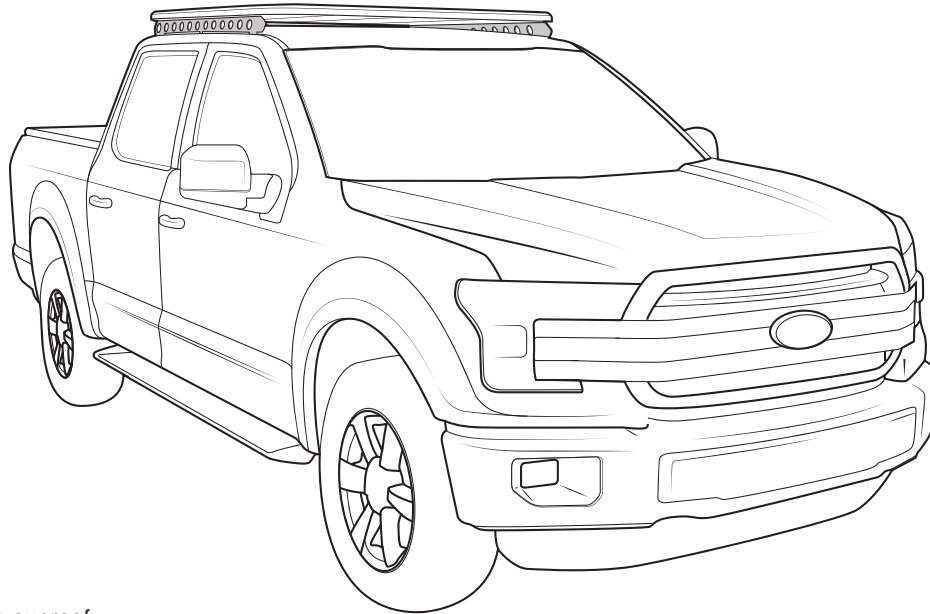


# RHINO-RACK

## Ford F250/F350/F450 Super Crew Backbone - RF2B1

Fit Time: 45 min



Note: Compatible with sunroof.

### IMPORTANT INFORMATION

**Maximum carrying capacity:**

Suitable Pioneers	On Road Cargo Allowance	Off Road Cargo Allowance	Static Allowance	Roof Allowance	Rack Weight
42113B	68.5kg / 151lb	48.5kg / 107lb	328.5kg / 724lb	100kg /220lb	31.5kg / 69lb

**Roof Allowance:** Total permissible weight attached to the roof of the car. This is inclusive of the weight of the roof rack system

**Cargo Allowance:** Total permissible weight allowed on top, and attached to roof racks whilst the vehicle is in motion

**Static Allowance:** Total permissible weight allowed on top, and attached to roof racks whilst the vehicle is stationary

Please refer to your vehicle manufacturers handbook for maximum carrying capacity. Always use the lower of the two figures. Load must be evenly distributed over the entire Pioneer. Weight of roof rack accessories is to be included in cargo allowance.

**Torque settings**

Unless stated otherwise in these instructions, all fasteners should be set to the following torque settings - M5: 3-4Nm (2-3lbs/ft), M6: 4-5Nm (3-4lbs/ft), M8: 8-10Nm (6-7.5lbs/ft) and M10: 16-18Nm (12-13lbs/ft).

**Warning:**

- Check Part No. and/ or Kit is correct for use with your vehicle
- Do not attempt to fit the rack system to your vehicle unless you fully understand these fitting instructions. Please direct any questions regarding fitting to the dealer from where the roof racks were purchased.
- **Use only non-stretch fastening ropes or straps.**
- The handling characteristics of the vehicle changes when you transport a load on the roof. For safety reasons we recommend you exercise extreme care when transporting wind-resistant loads. Special consideration must be taken into account when cornering and braking.
- Although the system is tested and approved to AS1235-2000 / ISO 11154, off-road conditions can be much more rigorous. Extreme care must be taken in off road conditions

**Recommendations:**

It is essential that all bolt connections be checked after driving a short distance when you first install your roof racks. Bolt connections should be checked again at regular intervals (once a week is enough, depending on road conditions, usage, loads and distances travelled). You should also check the roof racks each time they are re-fitted. Always make sure to fasten your load securely. Please also ensure that all loads are evenly distributed and that the centre of gravity is kept as low as possible and must be entirely contained within the extents of the roof racks.

**Note for Dealers and Fitters:**

It is your responsibility to ensure these fitting instructions are given to the end user or client

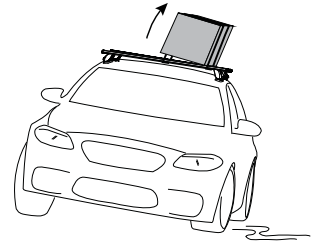
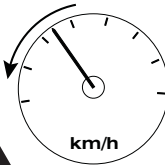
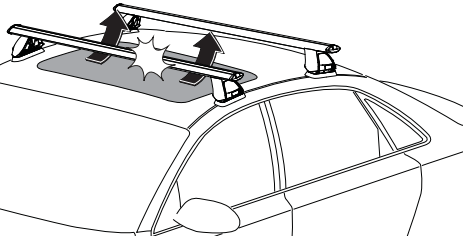
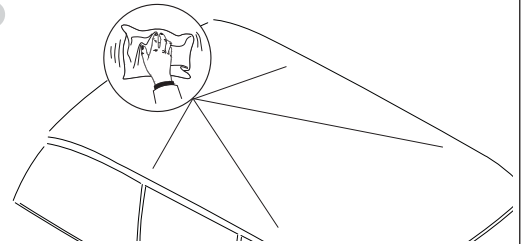
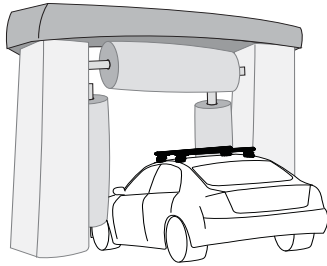
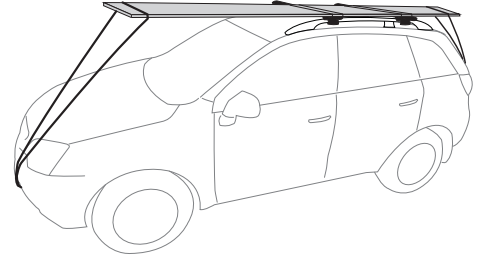
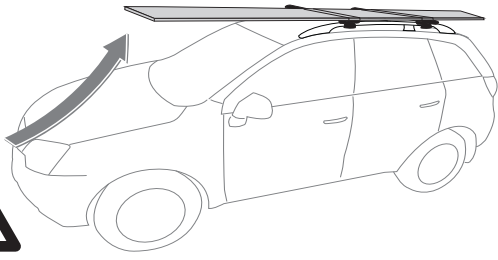
Rhino-Rack, 3 Pike St, Rydalmere  
NSW 2116, Australia  
(02) 8846 1900  
rhinorack.com.au

Document No: R1720  
Prepared By: Kayle Everett  
Authorised By: Chris Murty

Issue No: 01  
Issue Date: 03/04/2018

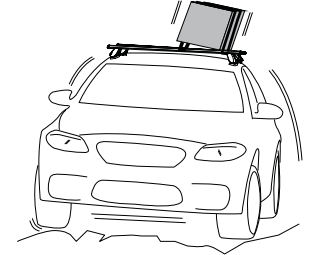
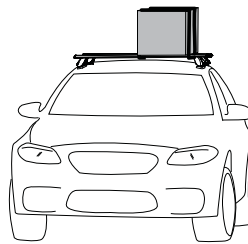
These instructions remain the property of Rhino-Rack Australia Pty. Ltd. and may not be used or changed for any other purpose than intended.

# Ford F250/F350/F450 Super Crew Backbone - RF2B1

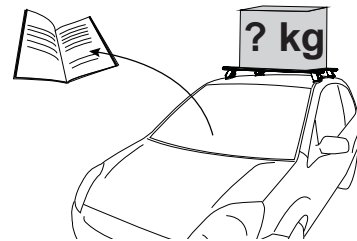
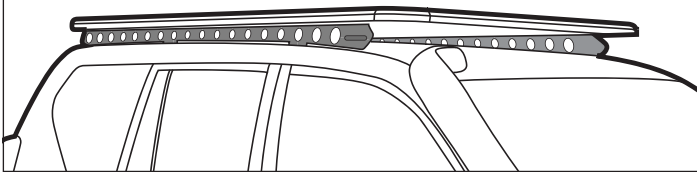


The handling characteristics of the vehicle changes when you transport a load on the roof. For safety reasons we recommend you exercise extreme care when transporting wind-resistant loads. Special consideration must be taken into account when cornering and braking.

Although the system is tested and approved to AS1235-2000 / ISO 11154, off-road conditions can be much more rigorous. Extreme care must be taken in off road conditions



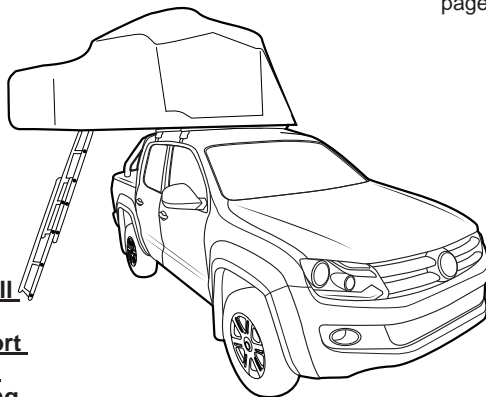
**System Weight: 31.5kg**



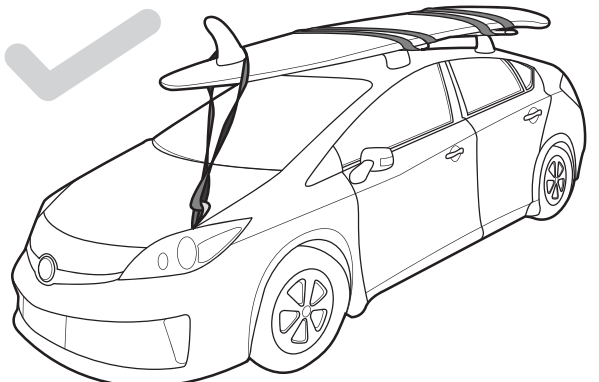
**Static Load Rating:** refer to front page



**Ensure Ladder is well supported on the ground to help support tent. Take extreme caution when climbing heights above 1.2m/4ft.**



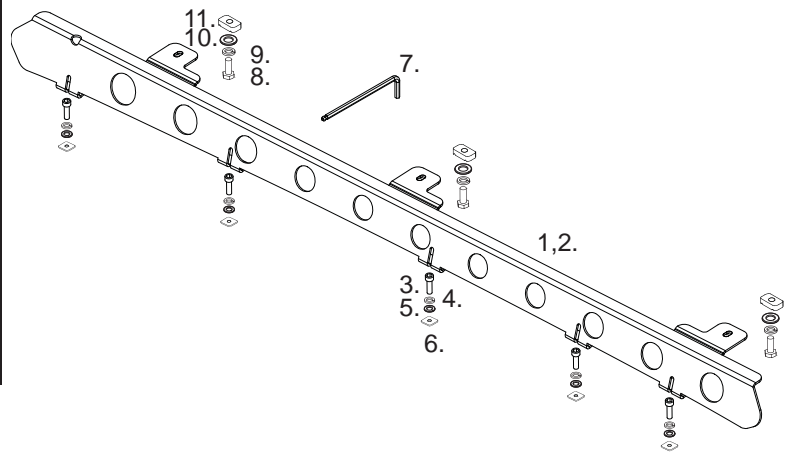
Paddle/ Surfboards should be fixed to the front of the vehicle.



# Ford F250/F350/F450 Super Crew Backbone - RF2B1

## Parts List

Item	RF2B1	Qty	Part No.
1	F250 Backbone LHS	1	CA1837
2	F250 Backbone RHS	1	CA1838
3	M5 x20mm socket head cap screw	8	B028
4	M5 spring washer	8	-
5	M5 x 10mm flat washer	8	W027
6	Butyl patch 20mm x 20mm	8	CA1266
7	Ball end Allen Key 4mm	1	-
8	M8 x 25mm hex bolt	6	B169-BLK
9	M8 spring washer	6	W019-BLK
10	M8 x 24mm flat washer	6	W064-BLK
11	M8 channel nut	6	N003-BLK
12	Instructions	1	R1720

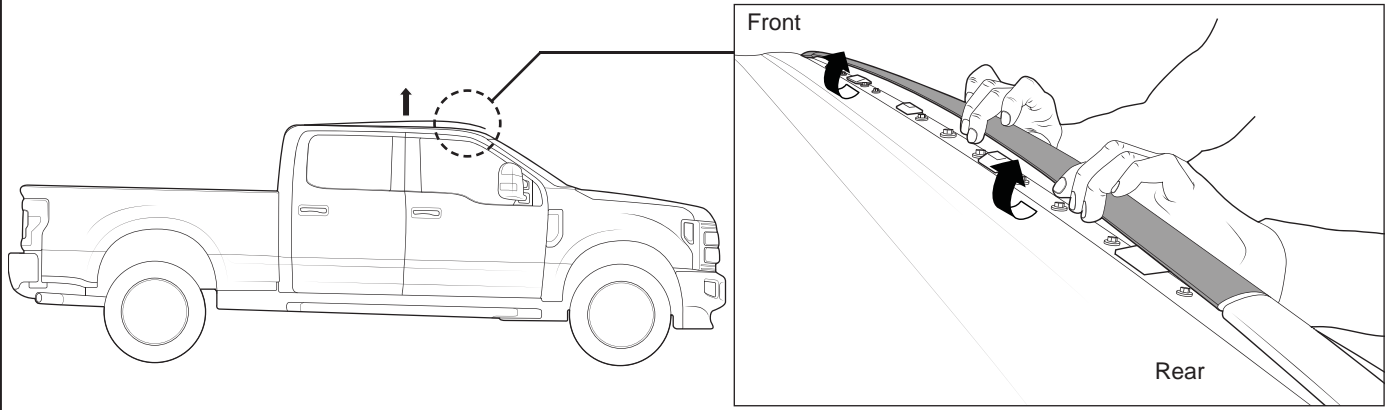


### Tools Required:

1. 3/16" socket wrench.
2. Hammer
3. Allen key (provided).
4. Flat blade screwdriver.
5. Silicone

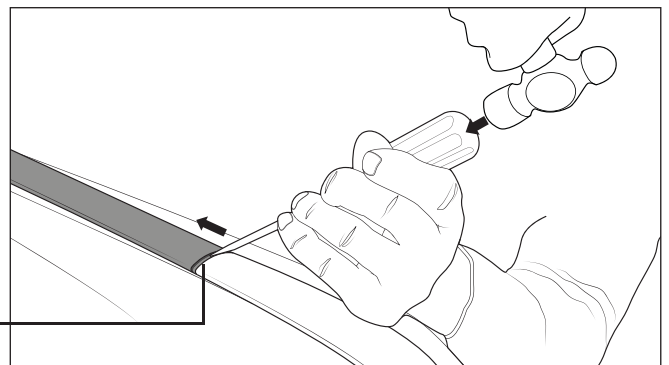
## Instructions

- 1** Starting at the front of the vehicle and moving toward the rear, peel up the ditch infill. Clips along the ditch hold the infill in place, use caution when removing. The infill will be connected at the very rear, do not try to bend this section.



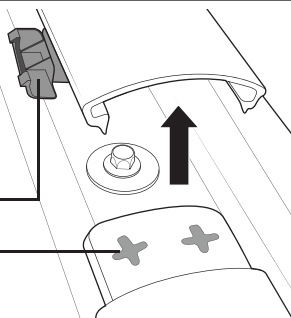
- 2** The rear of the ditch infill is attached to the vehicle via a moulding. This connection must be carefully struck to separate as shown.

Place a screwdriver into the small gap between the infill and the moulding. Carefully tap the infill out.

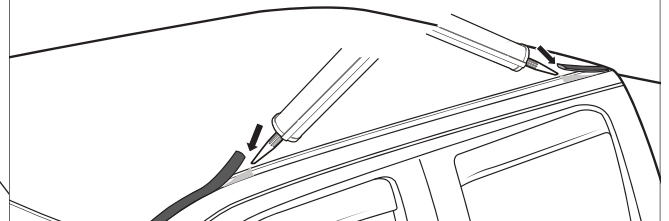


- 3** The infill will snap away from the rear moulding. With the infill removed, carefully take out all the infill clips in the ditch.

The ditch clips can be removed after the infill.  
Note: there may be some material left on the moulding after the infill is removed.

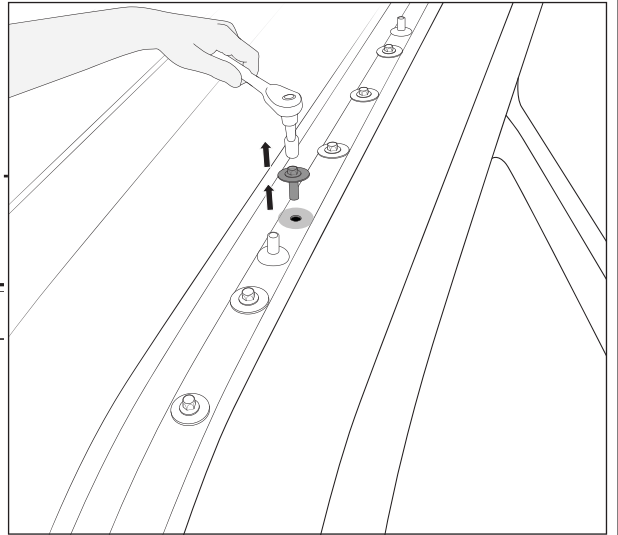
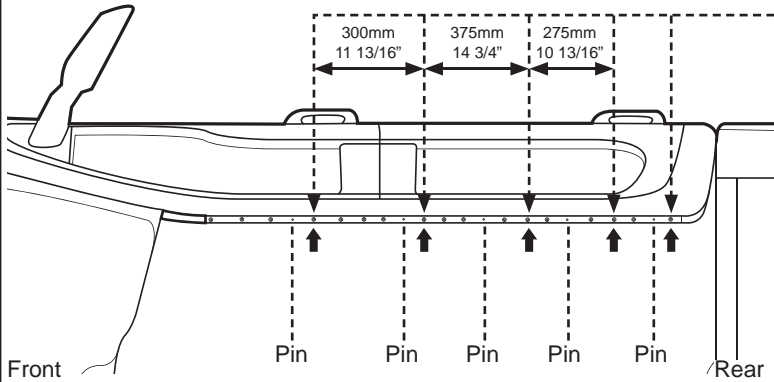


Using silicone, affix the front and rear infill pieces to the roof of the vehicle.

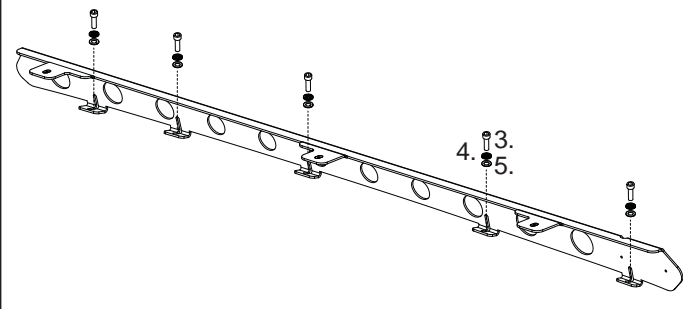


# Ford F250/F350/F450 Super Crew Backbone - RF2B1

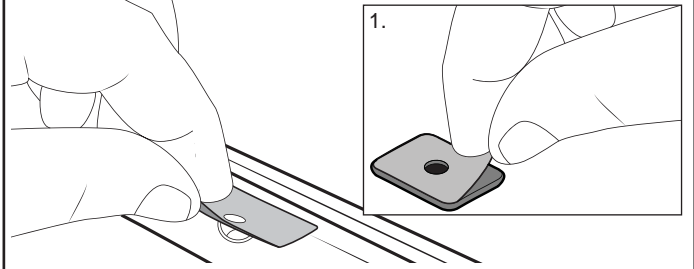
**4** With a 8mm (5/16") socket wrench, carefully remove the factory bolts and washers shown below. Store in a safe place.



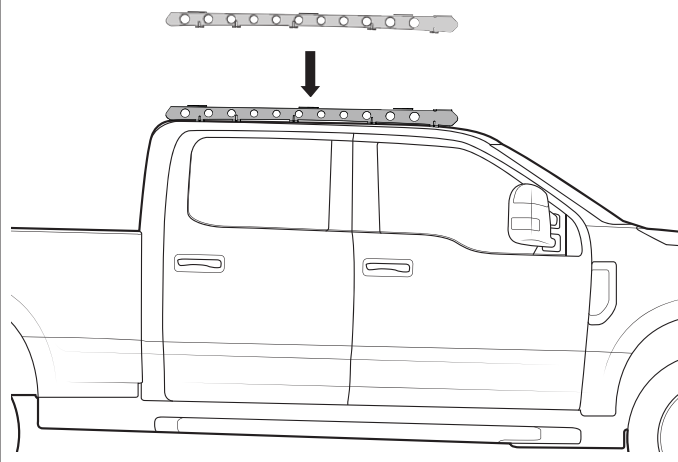
**5** Place the M5 hardware into the backbone as shown.



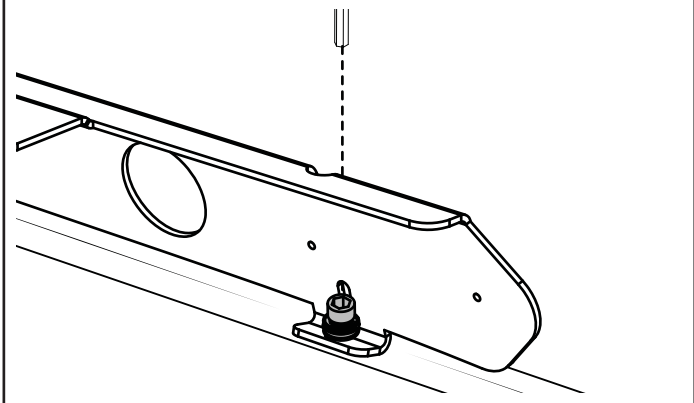
**6** Peel off the one side of backing tape on the 20mm x 20mm butyl patches provided. Place these carefully over all mount points. Remove the top layer of backing tape as shown.



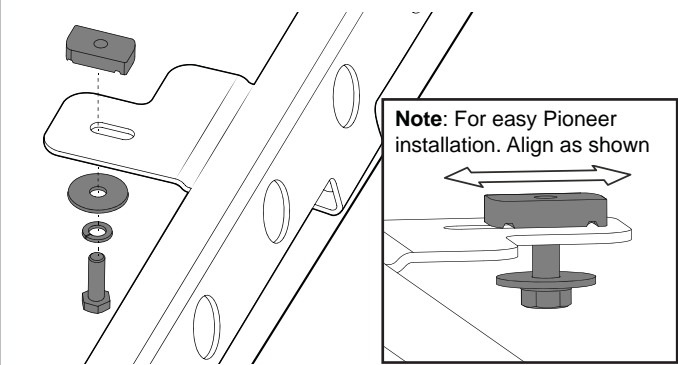
**7** Place the backbones onto the vehicle.



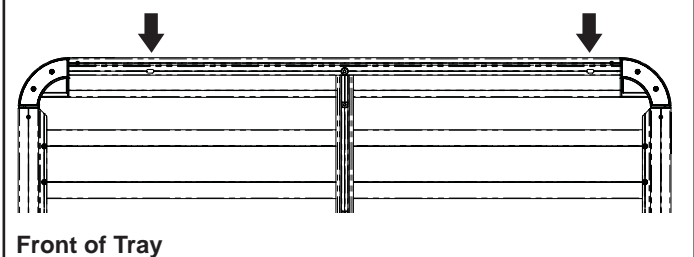
**8** Install the backbone using the hardware provided. Each cap screw will require a few turns, alternating between each one until hardware is tight. Fix to 4-5Nm (3-4lbs/ft) total.



**9** Assemble M8 hardware as pictured below. Complete this for the six tabs on top of the backbone rails.

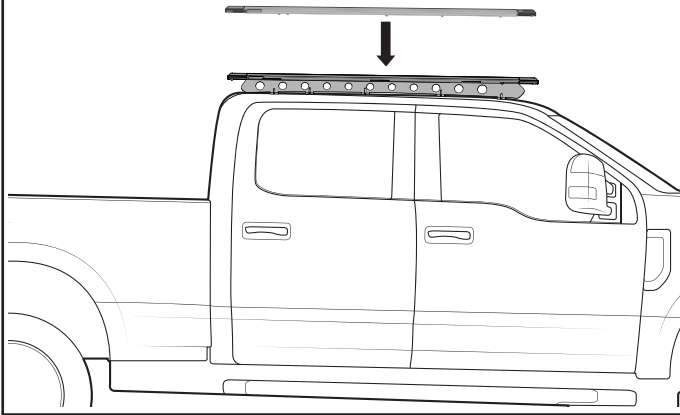


**10** Install Pioneer underbars with slots indicated.  
42113



# Ford F250/F350/F450 Super Crew Backbone - RF2B1

- 11** After underbars have been correctly fitted, place the Pioneer tray on top of the Backbone rails. Align the underbars with the top tabs and ensure the M8 hardware fits into underbar channel.



- 12** Once Pioneer underbars have been aligned properly, tighten all M8 hardware using 13mm socket wrench or 13mm spanner. Ensure channel nut has rotated within Pioneer underbar and is fixing Pioneer securely. Tighten to 8-10Nm (6-7lbs/ft).

