



n-fab.com

a TRUCK HERO company

nfabinc f t

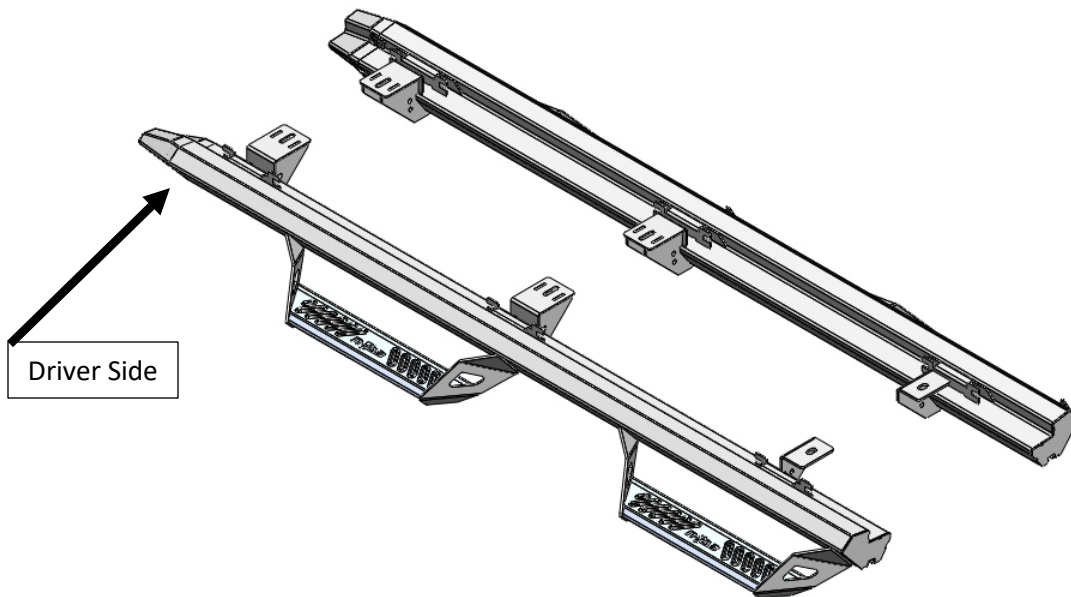
PART NUMBER: PRJ1863
PRODUCT: ALUMINUM HOOP STEP
APPLICATION: 18- C Jeep JL

PREDATOR PRO

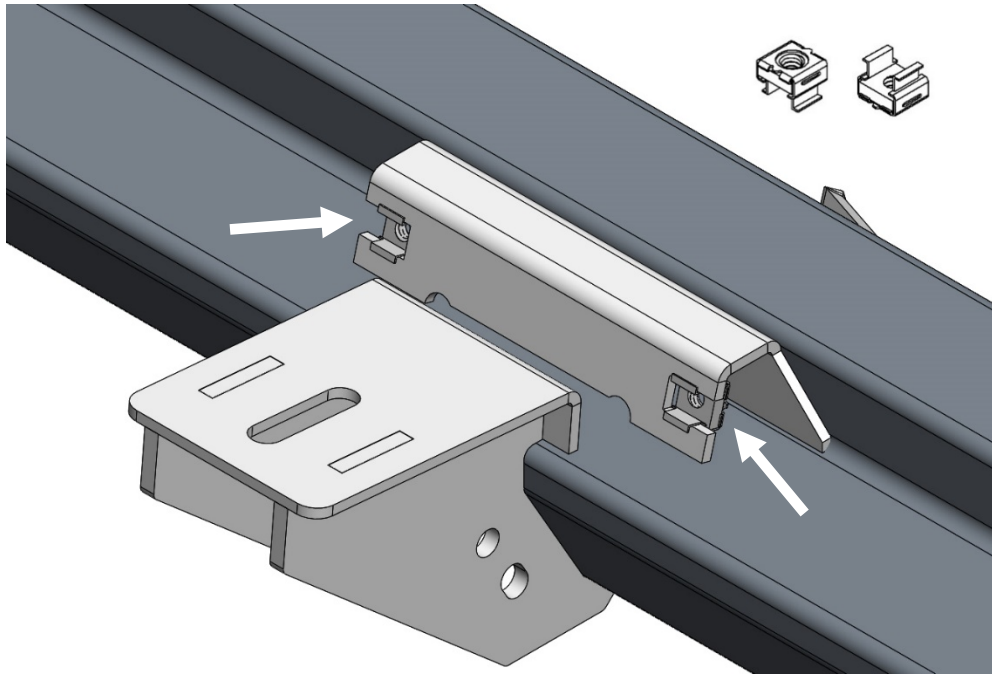


Table with 2 columns: HARDWARE DESCRIPTION and QTY. Rows include HWKT-00014X, 5/16 CAGE Nuts, 5/16 x Flange Bolt, and M8-1.25 x 30mm Flanged Hex Bolt.

Step 1: Identify Driver and Passenger side Nerf-step.



**Step.2** Starting with the passenger side step rail, install the supplied (x6) 5/16" snap nuts into the two notches in each mounting bracket.



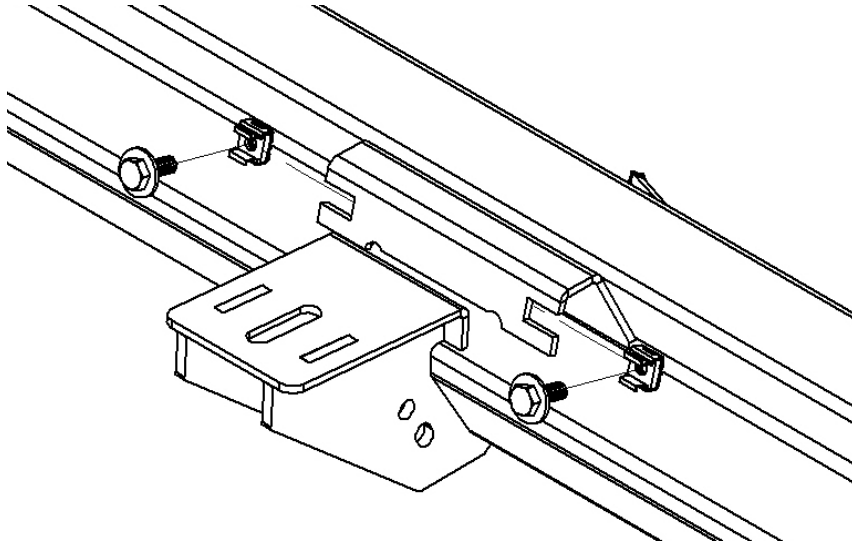
**Step.3** Carefully raise step rail up to the pinch weld of the body and align brackets up with the factory mounting locations.

**Step.4** Beginning with the center bracket start one of the supplied M8X30mm Hex bolts and leave loose to help steady the step to install the remaining hardware.



**Step.5.** Next, go ahead and install the two remaining M8x30mm hex bolts in the upper mounts and leave loose at this time.

**Step. 6** Next, start all (x6) 5/16"x3/4" Flanged hex bolts in the upper bracket mounts through the pinch weld and leave loose.



**Step. 7** After final positioning, tighten all (x6) 5/16 "x 3/4" hex bolts no more than 6 ft/lbs. torque.

**Step. 8** Next, tighten all (x3) upper mounting positions to 17-20 Ft/lbs. torque.

**Step. 9** Repeat steps 3-6 for passenger side.