

Installation Instructions

Eibach Springs, Inc. • 264 Mariah Circle • Corona, California 92879-1751 • USA • Tech Support 800-222-8811 Ext 114



Anti-Roll-Kit # 3882.310

Chevrolet, Tahoe, Suburban, Avalanche V8, 2001-2003

GMC, Yukon, Yukon XL, V8, 2001-2003

Cadillac, Escalade, Escalade EXT V8, 2001-2003

Kit Contents	Description	Part Number	Qty
	Front Bar	3882.320F	1
	Anti-Roll Hardware Kit	3882.310HK	1
	Information Kit	EPAK	1
	Instructions	3882.310INST	1

NOTES: Read All Instructions Before Beginning Installation

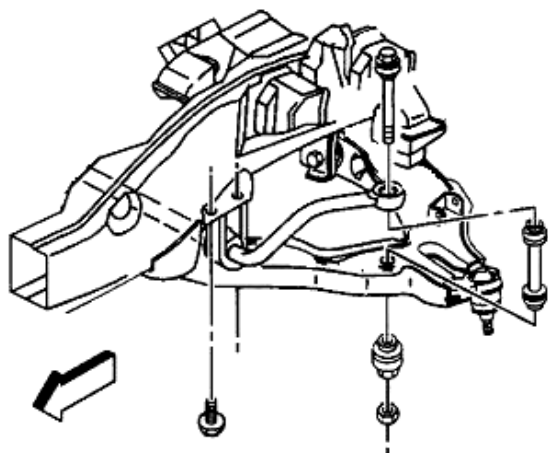
- Only qualified mechanics experienced in the installation and removal of suspension components should perform this installation.
- Use of a hoist and screw jack is highly recommended and will substantially reduce installation time.
- Installation time: Is approximate .5 hour with the use of a hoist.
- Never work on or under a vehicle unless it is properly supported.
- Tire Rotation: In order to increase the life of your tires, it is recommended to rotate your tires every 3,000 miles.

Additional Eibach Components Available For Your SUV

Eibach Kits	Part Number	Description /	Front	Rear
2" Pro-Kit	3882.520	High Performance Handling	ADJ.	2.0"
3" Pro-Kit	3887.520	High Performance Handling	ADJ.	3.0"

FACTORY FRONT BAR REMOVAL

1. Begin by removing front OE end link assembly from both ends of the factory bar. (See Illustration 1)



(Illustration 1)

2. Next remove the frame mount bushing brackets securing the bar to the vehicle, along with the OE bushings.
3. Now remove the bar from the vehicle.

EIBACH FRONT BAR INSTALLATION

1. Install the new Eibach front bar in the vehicle.
2. Apply some poly lubricant to the inside of the new 5702 front bushing.
3. Installed the new bushing on the bar reusing the OE brackets and bolts.
4. Now install the new supplied end links securing the bar ends to the lower control arms.