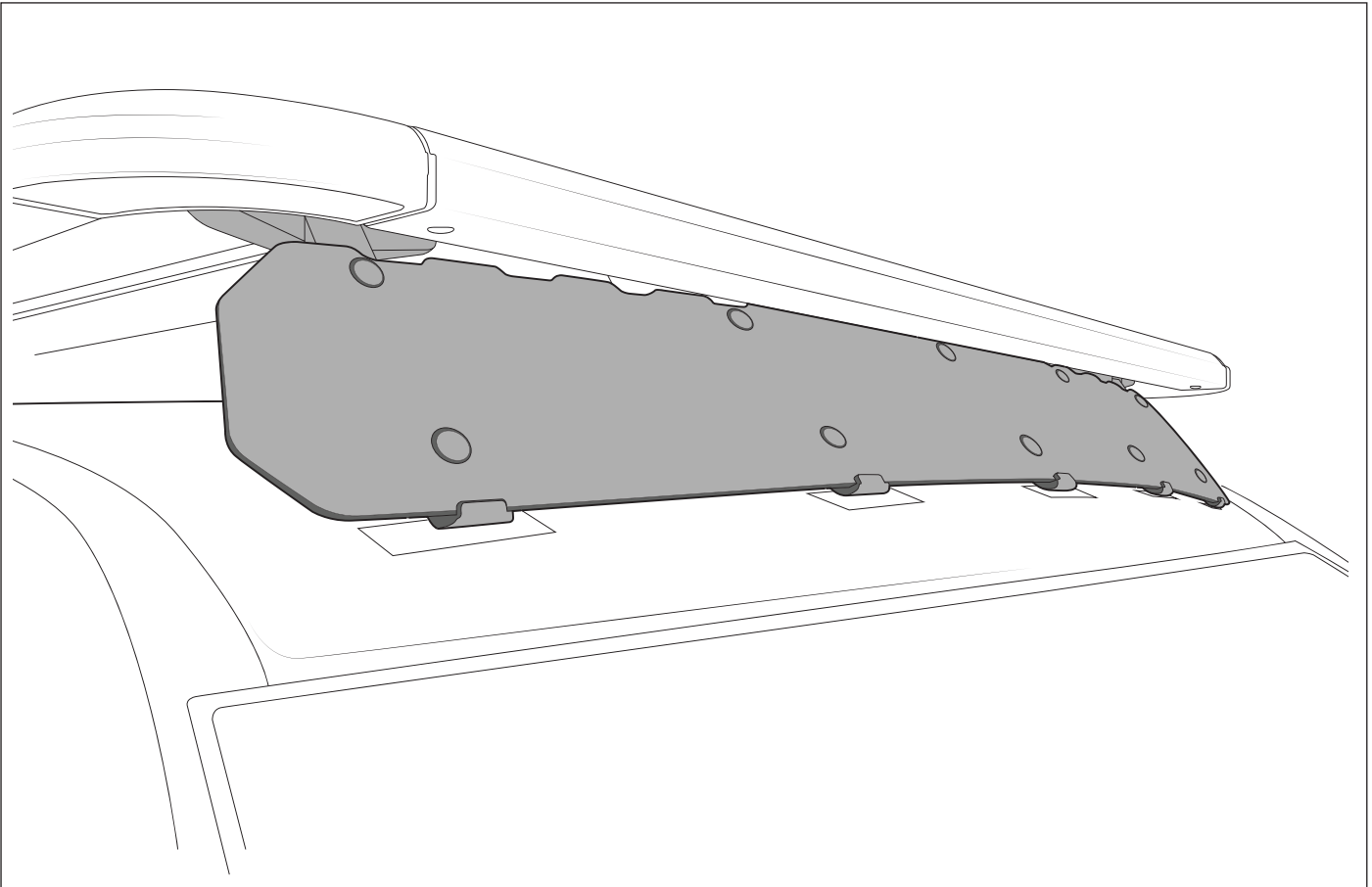




RHINO-RACK

Pioneer Wind Fairing Kit 43249, 43250, 43251

Important: Please read these instructions carefully prior to installation.
Please refer to your fitting instruction to ensure that the alloy tray is installed correctly.
Check the contents of this kit before commencing fitment and report any discrepancies.



Important Information

Warning: Do not attempt to fit the accessory to your vehicle unless you fully understand these fitting instructions. Please direct any questions regarding fitting to the dealer from where the roof racks were purchased.

Use only non-stretch fastening ropes or straps.

Recommendations: It is essential that all bolt connections be checked after driving a short distance when you first install your roof racks. Bolt connections should be checked again at regular intervals (once a week is enough, depending on road conditions, usage, loads and distances travelled). You should also check the roof racks and accessories each time they are re-fitted. Always make sure to fasten your load securely. Please also ensure that all loads are evenly distributed and that the centre of gravity is kept as low as possible and must be entirely contained within the extents of the roof racks. Fairing must be installed facing the front of the vehicle as specified in this instruction.

Rack System must be removed when putting vehicle through an automatic car wash.

Caution: The handling characteristics of the vehicle changes when you transport a load on the roof. For safety reasons we recommend you exercise extreme care when transporting wind-resistant loads. Special consideration must be taken into account when cornering and braking.

Note: The fairing is designed to minimise oncoming wind noise, it will not reduce all wind noise. The fairing cannot minimise noise generated from crosswinds.

Note for Dealers and Fitters:

It is your responsibility to ensure these fitting instructions are given to the end user or client

Rhino-Rack, 22 Hanson Pl, Eastern Creek
NSW 2766, Australia
(02) 8846 1900
rhinorack.com.au

Document No: R1459
Prepared By: K.Everett
Authorised By: W.Davis

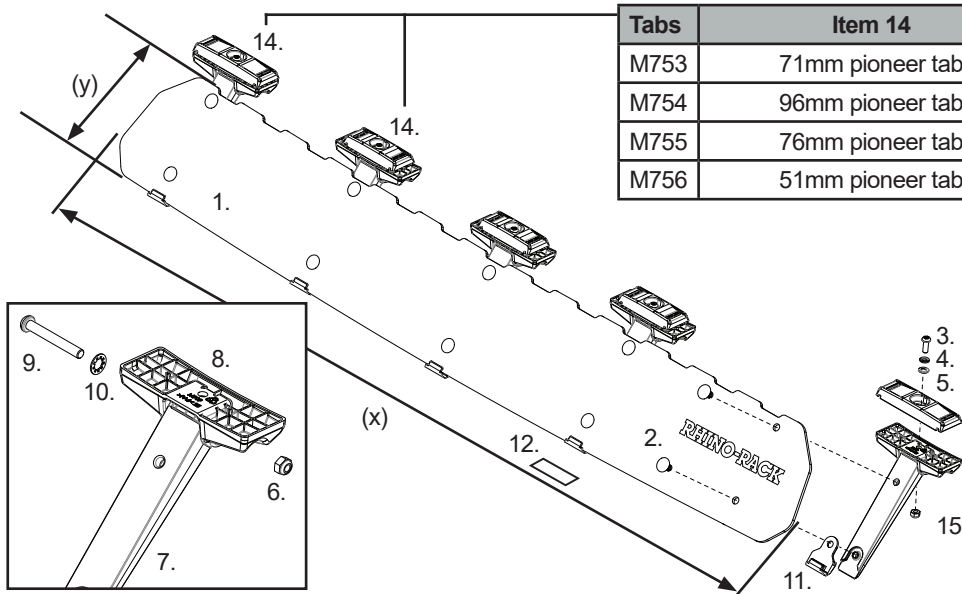
Issue No: 03
Issue Date: 29/11/2018

These instructions remain the property of Rhino-Rack Australia Pty. Ltd. and may not be used or changed for any other purpose than intended.



Pioneer Wind Fairing Kit 43249, 43250, 43251

Parts List



Tabs	Item 14	43249	43250	43251
M753	71mm pioneer tab	3	4	4
M754	96mm pioneer tab	2	0	0
M755	76mm pioneer tab	0	0	2
M756	51mm pioneer tab	0	2	0

Sizes	x	y
CA1707	1130mm	150mm
CA1792	1272mm	150mm
CA1778	1332mm	150mm

Item	Component Name	43249	43250	43251	Part No.
1	Pioneer fairing	1 x CA1707	1 x CA1792	1 x CA1778	-
2	Button clip*	11	13	13	CA1141
3	M6 x 16mm button screw	5	6	6	B036
4	M6 spring washer	5	6	6	W004-BLK
5	M6 x 12.5mm flat washer	5	6	6	W003-BLK
6	M6 nyloc nut	5	6	6	N013
7	Underbar wind fairing arm	5	6	6	M908
8	Underbar wind fairing base	5	6	6	M909
9	M6 x 45mm dome head screw	5	6	6	B091
10	M6 shake proof washer	5	6	6	W056
11	Rubber bumper	5	6	6	M632
12	Clear protective patch	10	12	12	Z013
13	4mm allen key	1	1	1	H001
14	Tab kits as above (kit dependant)				
15	M6 Nut	5	6	6	N022
16	Instructions	1	1	1	R1459

Tools required:

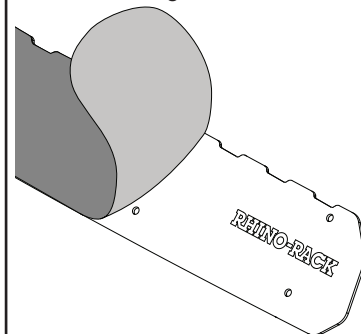
- 1 - Soapy water.
- 2 - Allen key (provided).
- 3 - Knife.

* 1 Spare button clip in each kit.

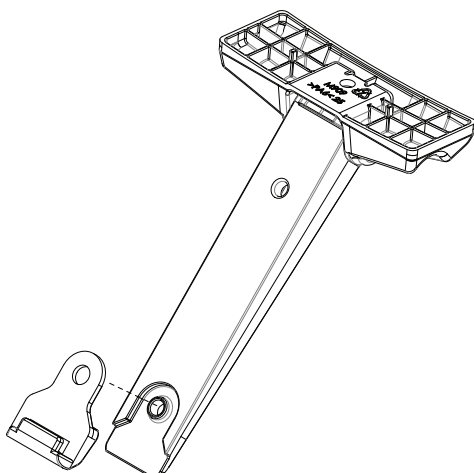
Note: For use with pioneer platforms/tradie trays only.

Instructions

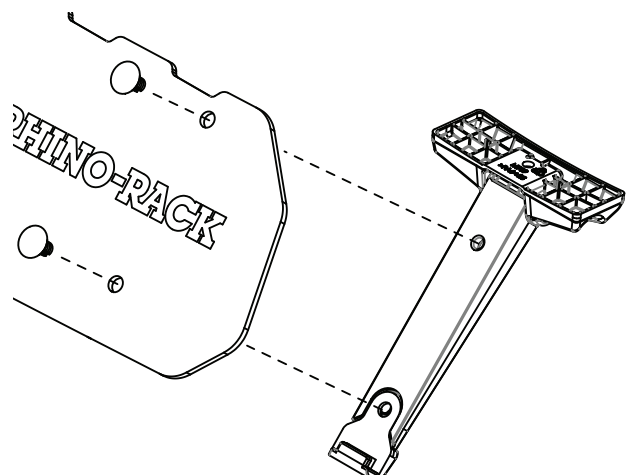
- 1 Carefully peel the protective tape off the fairing.



- 2 Clip the rubber bumpers onto the ends of the wind fairing arms. The bumpers will fit tightly in place.



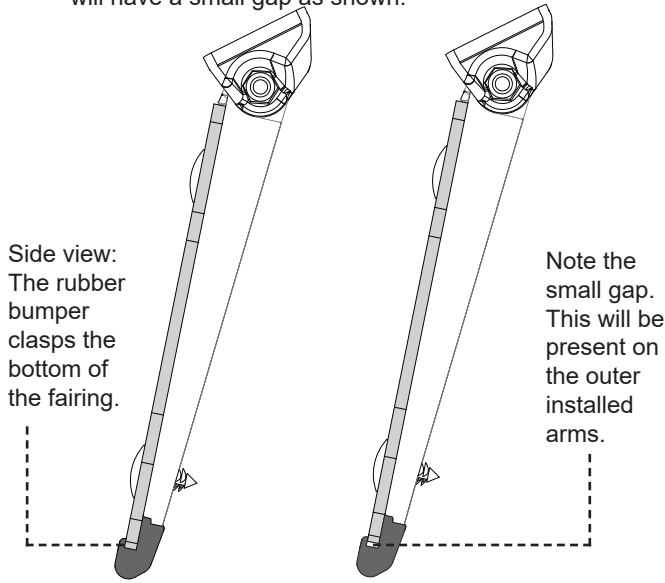
- 3A The completed arm fairing assemblies are held in place by installing with the button clips provided.



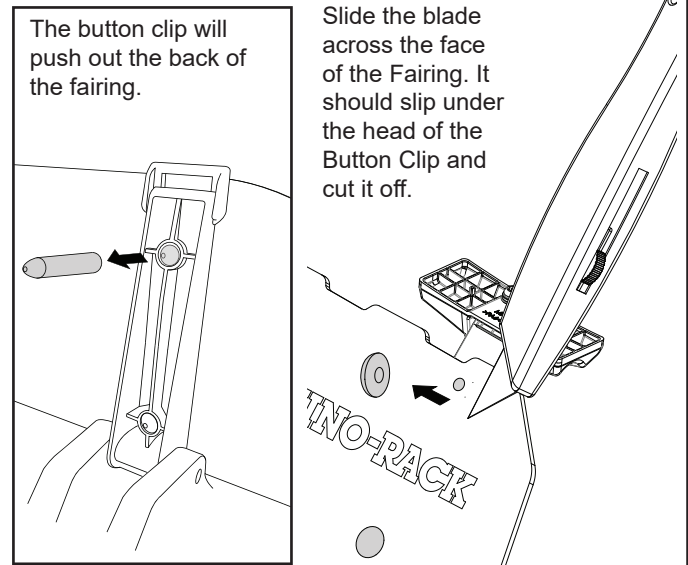


Pioneer Wind Fairing Kit 43249, 43250, 43251

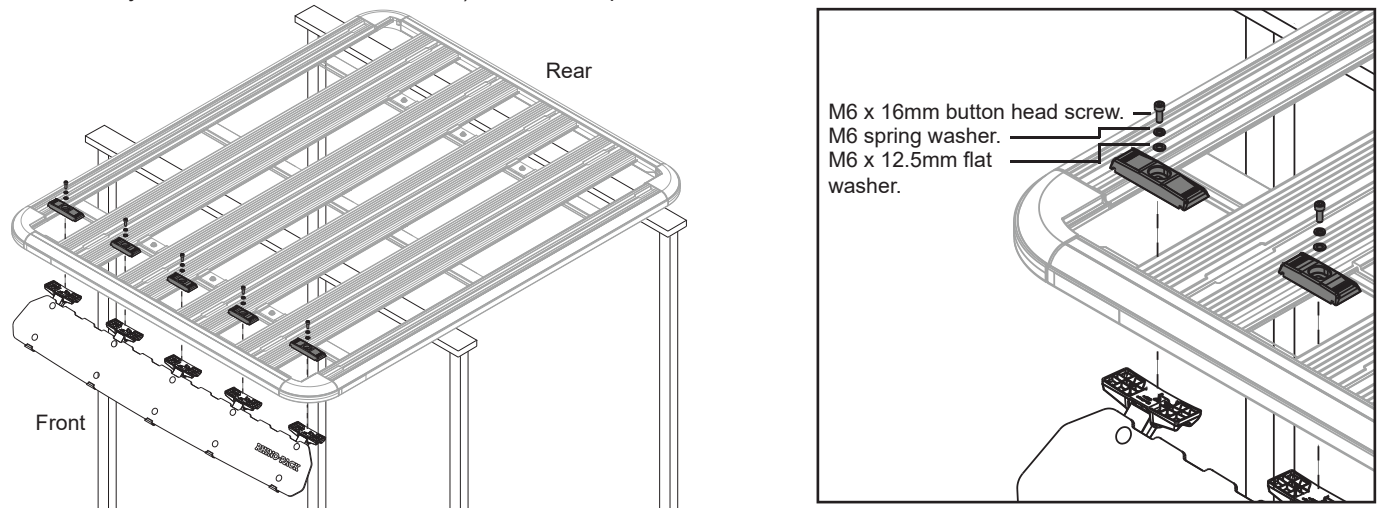
3B Note that the rubber bumper will grip the bottom section of the fairing. Rubber bumpers to the edge of the fairing will have a small gap as shown.



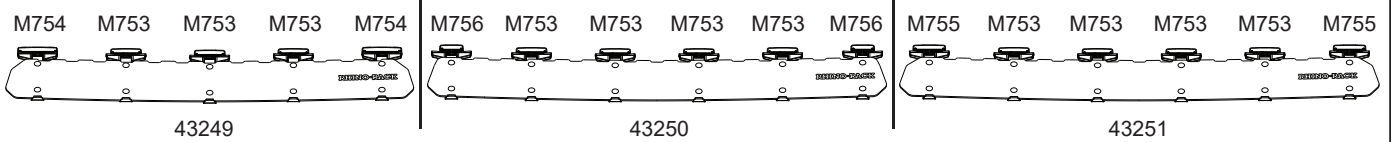
Note If required the button clips can be removed and replaced. Using a sharp blade, carefully cut the front of the button clip off.



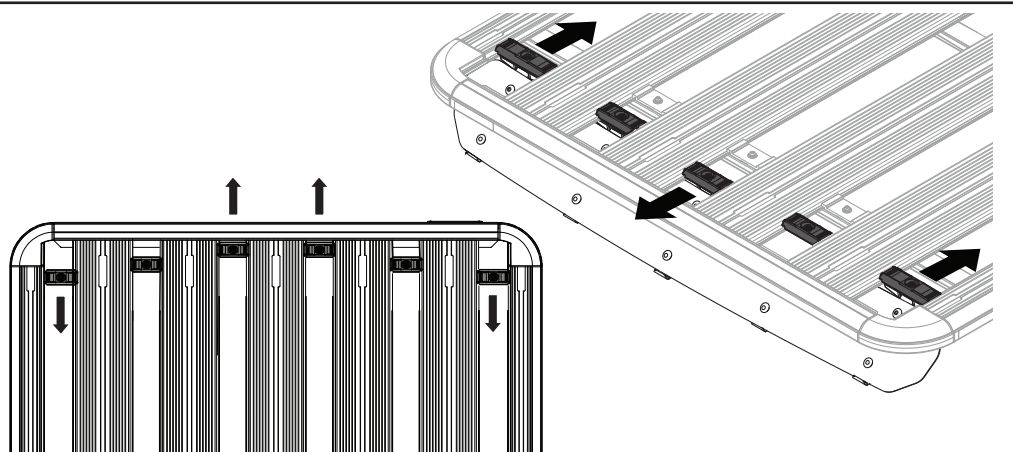
4 Fit the fairing to the front of the platform as shown. Finger tighten only at this stage (after fitting the platform, the fairing can be adjusted to the contour of the roof). Rear of the platform is labelled with a sticker.



Note the positions of the pioneer tabs.



5 Attach the pioneer to the roof of the vehicle. With the platform now fixed in place, slide the fairing tabs forward and backward to suit the contour of the roof. Tighten in place with the 4mm allen key provided.

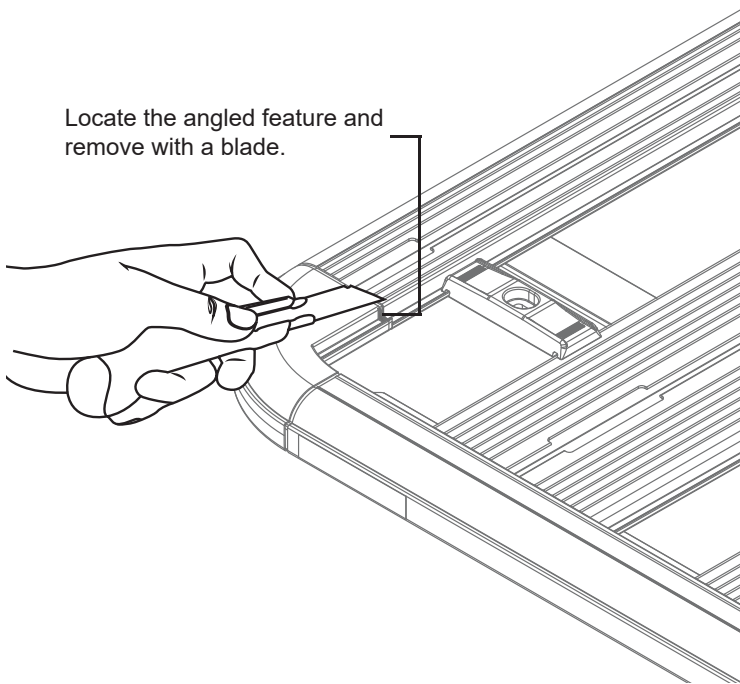




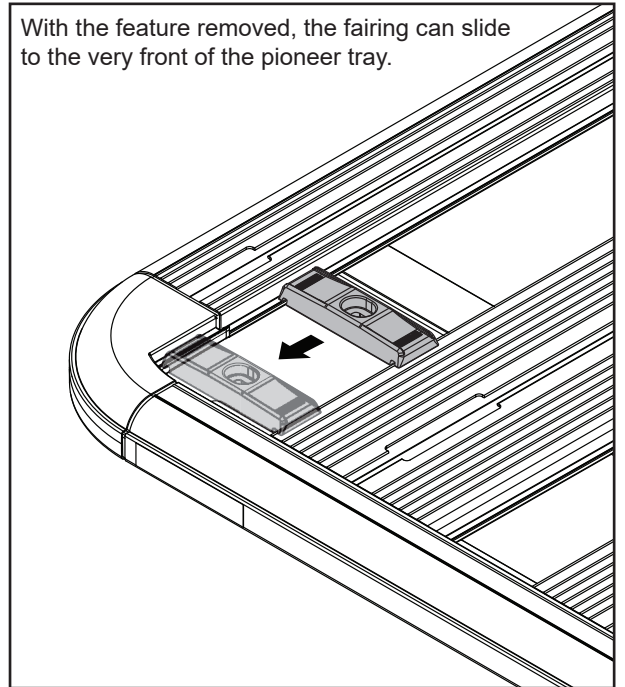
Pioneer Wind Fairing Kit 43249, 43250, 43251

Note The pioneer corner mouldings can be altered to allow the fairing to bridge between the extrusion and the cover moulding. Locate the angled feature on the corner moulding (as seen below) and remove with a blade.

Locate the angled feature and remove with a blade.

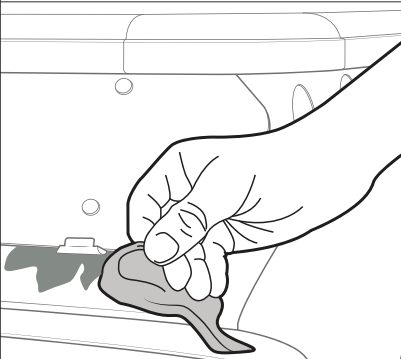


With the feature removed, the fairing can slide to the very front of the pioneer tray.



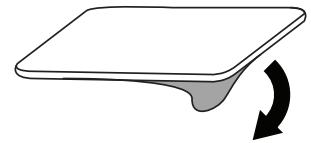
- 6**
- 1: Apply a soapy film under each rubber bumper.
 - 2: Prepare each patch for installation.
 - 3: Place a patch under all points where the fairing contacts the roof of the vehicle.

1: Using a soapy cloth, apply a film of soapy water under each rubber bumper. This will allow you to easily slide a clear patch into position accurately.

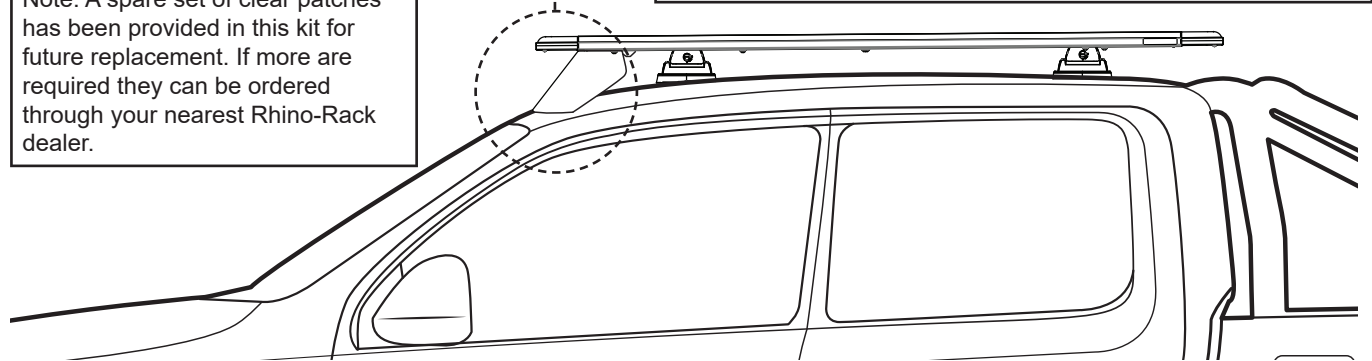
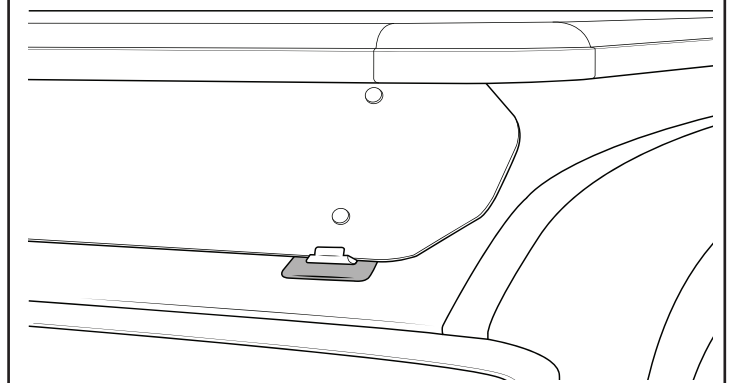


Note: A spare set of clear patches has been provided in this kit for future replacement. If more are required they can be ordered through your nearest Rhino-Rack dealer.

2: Peel off the backing tape to the clear patches.



3: A patch must be under all points where the fairing contacts the vehicle. Once the soapy water evaporates, the patches will fix into position. **Note:** If patch wears out over time, you must replace. The patch protects the paintwork of the vehicle from dirt rubbing between the fairing and the roof.

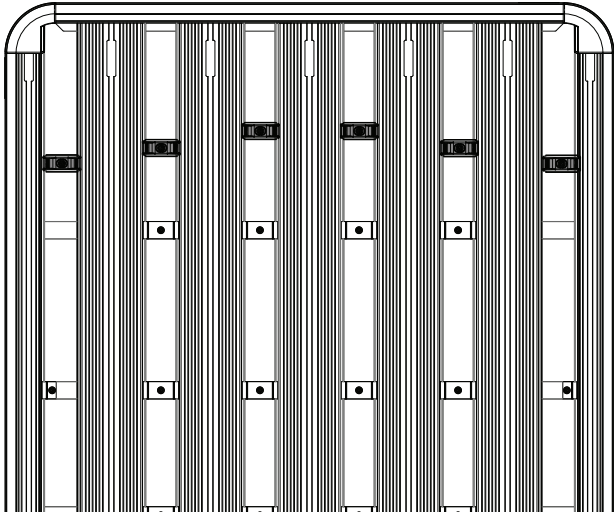




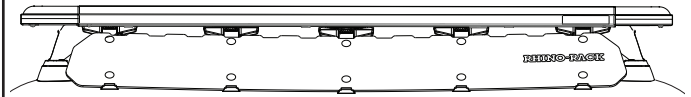
Pioneer Wind Fairing Kit 43249, 43250, 43251

Important Information

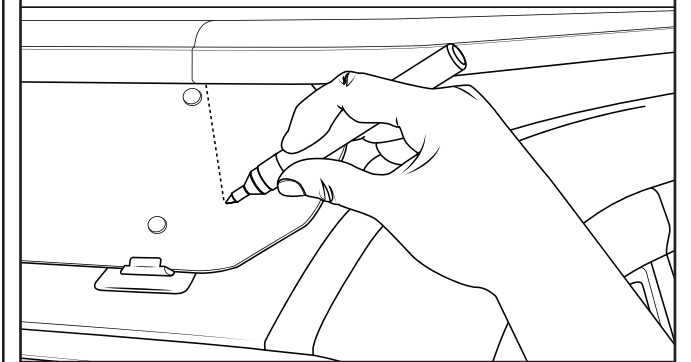
A The fairing can be set back well inside the pioneer tray if required.



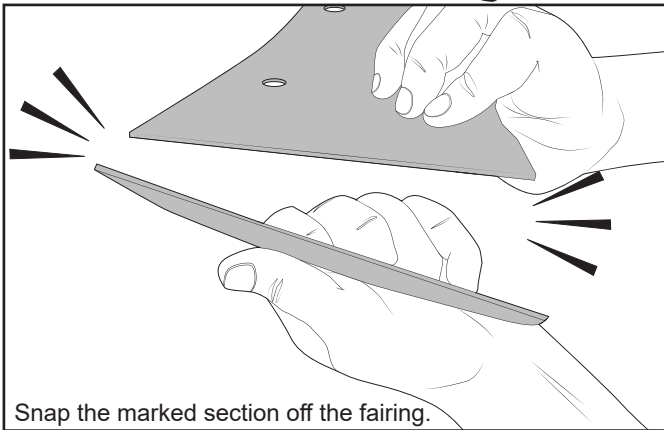
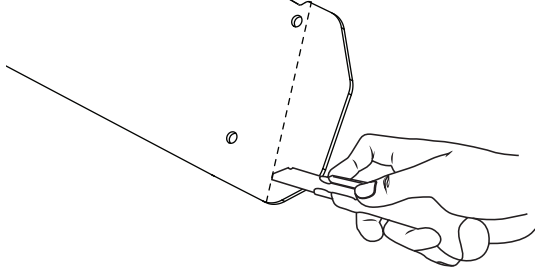
B1 If required, the fairing system can be trimmed to allow for possible obstruction from leg kits, accessories or vehicle aerals.



Mark out the area of the fairing **on one side** you wish to remove.

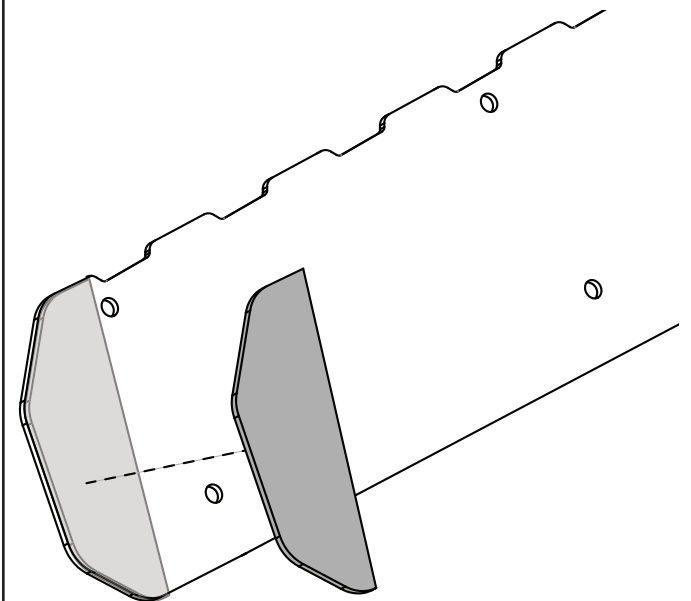


B2 1: Remove the fairing from the roof and score along the references made previously with a blade.
2: Holding the fairing on either side of the scoring, flex the unit and snap the marked section off the fairing.



Snap the marked section off the fairing.

B3 Transfer the snapped off section to the other side of the fairing. Use this as a guide to mark up the remaining side. **Repeat steps B1 and B2.**



C The fairing kits can be installed to selected pioneer welded trays.
Note: The clamp mouldings are set back behind the front corner plastic pieces.

